

Ferguson-EAP 300 Series Windows with Integral Blinds

EAP 300 Series Interior Windows with Internal Blinds

General

All window components shall be manufactured and engineered by Engineered Aluminum Products (EAP). Profiles to be based on EAP 300 series window system. Shop drawings and engineered details to be submitted and approved prior to commencement of fabrication.

Material and Design

All aluminum sections shall be aluminum extrusions of 6063 alloy with temper as engineered by the manufacturer. All screws, fastening devices, and other components shall be of corrosion resistant material and engineered to perform as intended and sustain imposed loads. Screws subject to corrosion shall be of stainless steel type 304 or double cadmium plated steel. Gaskets shall be EPDM, neoprene, santoprene, or silicone as required by EAP and shaped to fit the extrusions and held in compression. Spacers, setting blocks and shims are of appropriate compatible material, length and hardness to suit the intended purpose. Integral blinds and blind hardware by EAP located between the glass lites, fully operable from open to closed. Various blind options available. Two lites of clear glass, 6mm thick.

Finish

All exposed surfaces shall be finished to Aluminum Association Standards and either:

- a) Anodized - AAC22Axx
- b) Fluoropolymer - Kynar 500 or Hylar 5000
(eg. PPG Duranar or Duranar XL®)
- c) Duracron or other comparable finishes

Installation

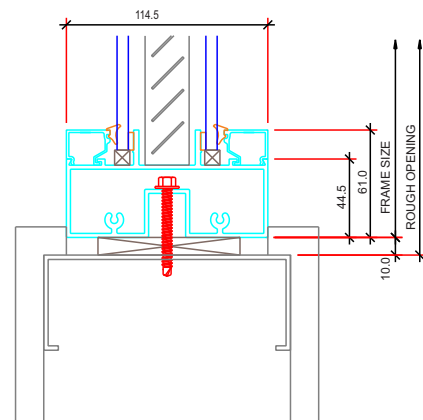
Installation shall be by experienced technicians to EAP's approval, instructions and site inspection to the highest quality standards. Installation must adhere to EAP's engineering and shop drawings.

Guarantee

The window system shall be guaranteed to be free from defective materials and installation deficiencies for a period of one year from the date of substantial completion, or as otherwise previously agreed to.

Technical Assistance

EAP provides engineering expertise for individual projects to help meet your design requirements including many custom extrusions and solutions. Our engineering department is available for consultation at any stage of the project. Contact our office for our full catalogue.



EAP Head Office and Manufacturing Plant:

3620 Blackburn Road S.E.
Calgary, Alberta, Canada T2G 4A5
Ph: (403) 287-4480 Fx: (403) 243-2198
Internet: www.ferguson.ca