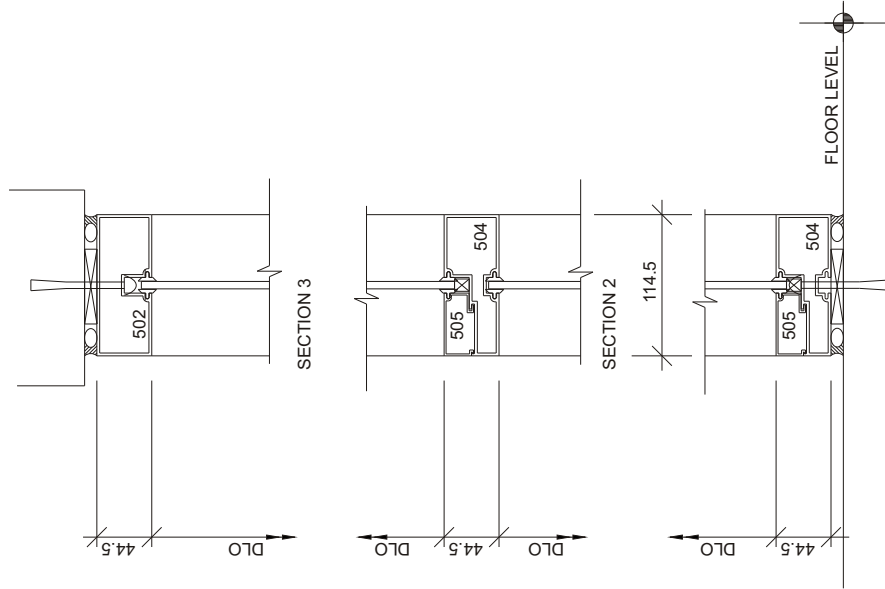
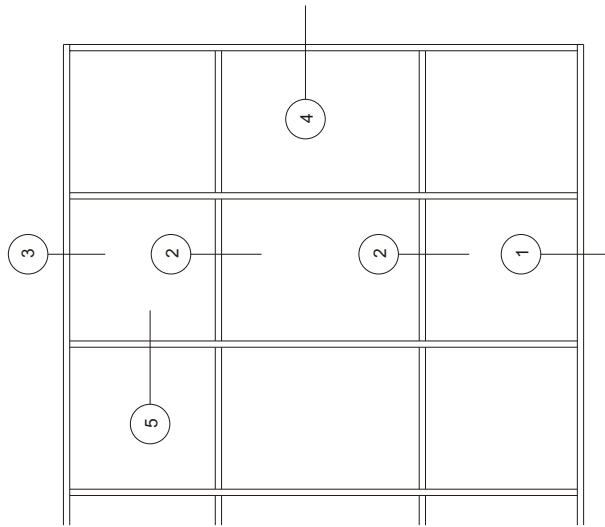
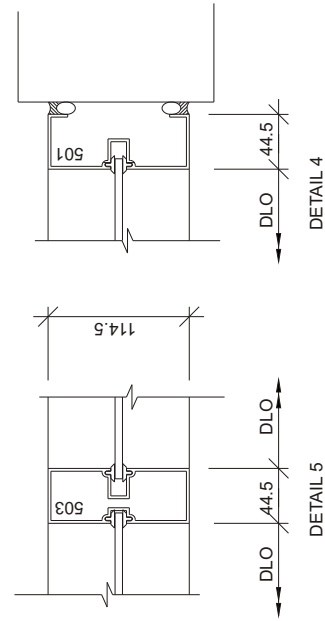


TYPICAL 44.5 (1.75") FLUSH LINE DETAILS



PARTIAL FLUSHLINE WALL ELEVATION



JAMB & HEAD	SIZE mm	SIZE inches
501	44.5.0 X 114.5	1.750 X 4.500
502	44.5.0 X 114.5	1.750 X 4.500
VERTICALS		
503	44.5.0 X 114.5	1.750 X 4.500
HORIZONTAL		
504	44.5.0 X 114.5	1.750 X 4.500
GLASS STOP		
505	51.0 X 22.0	2.000 X 0.870



ENGINEERED ALUMINUM PRODUCTS

E.A.P. 500 SERIES

BUILDING YOUR VISIONS

FLUSH
PAGE 1

ULBARYNCATALOG\CW_DETALS\INT-FLUSH.DWG