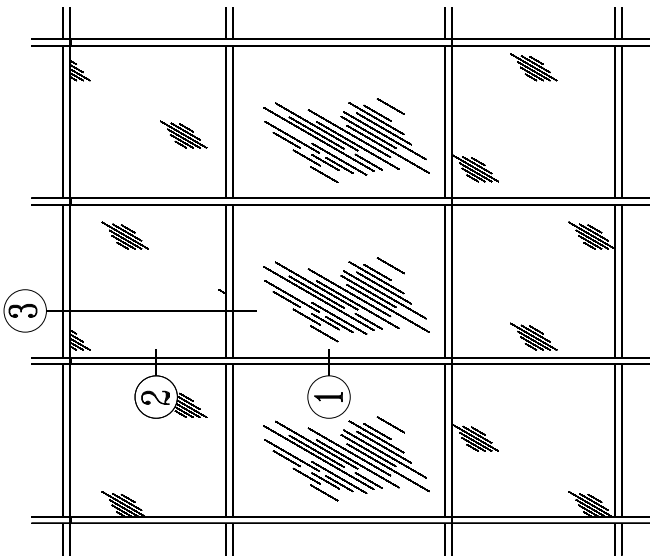
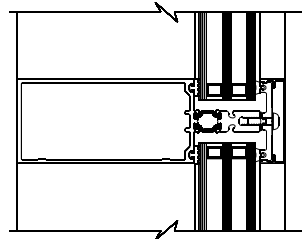


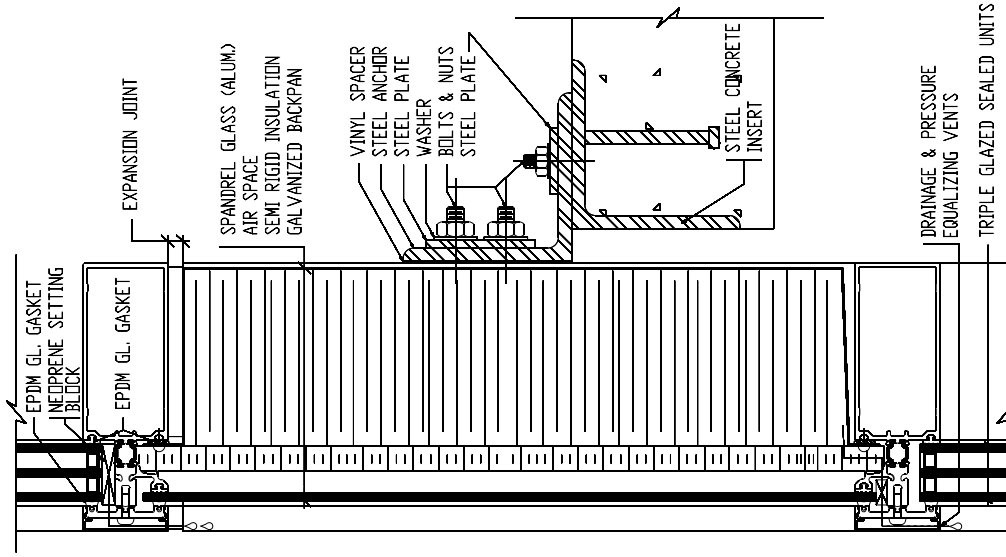
TYPICAL HIGH PERFORMANCE FRAME DETAILS



PARTIAL CURTAIN WALL ELEVATION

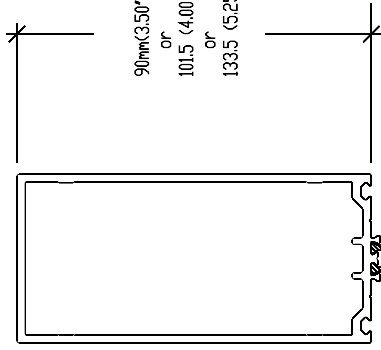


DETAIL 1
NOT TO SCALE



SECTION 3

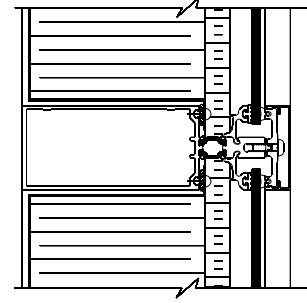
63.5mm (2.5")



90mm (3.50")
or
101.5 (4.00")
or
133.5 (5.25")

various cap
profiles available

MULLION AND CAP DETAILS
NOT TO SCALE



DETAIL 2