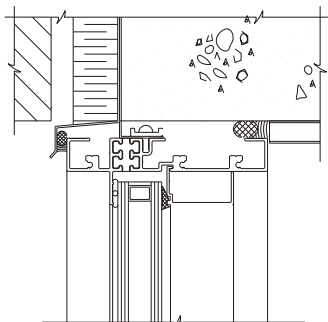
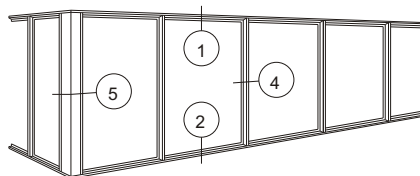
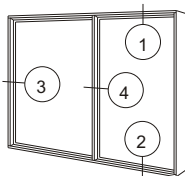
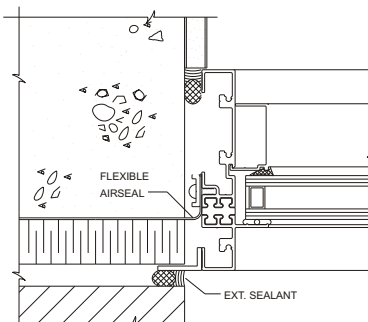


# 400 SERIES

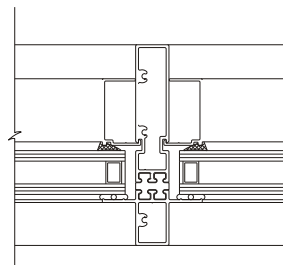
(THERMALLY BROKEN) PUNCHED OPENING OR HORIZONTAL STRIP WINDOW



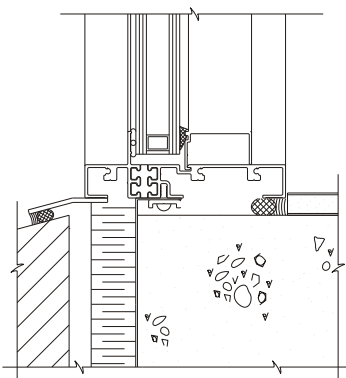
DETAIL 1



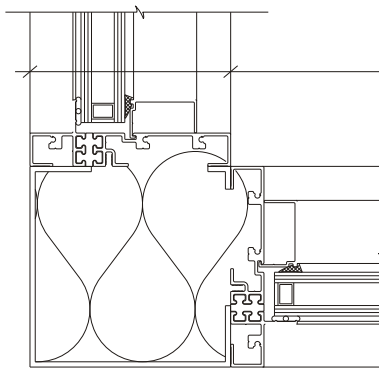
DETAIL 3



DETAIL 4

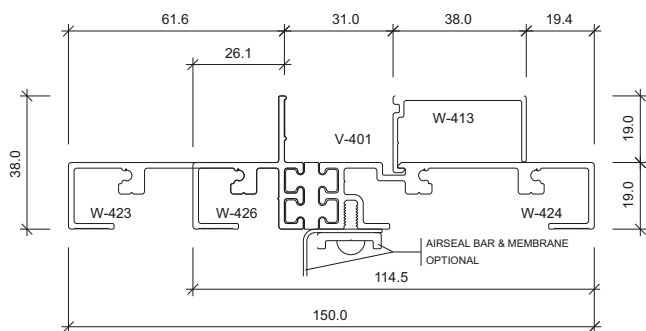


DETAIL 2

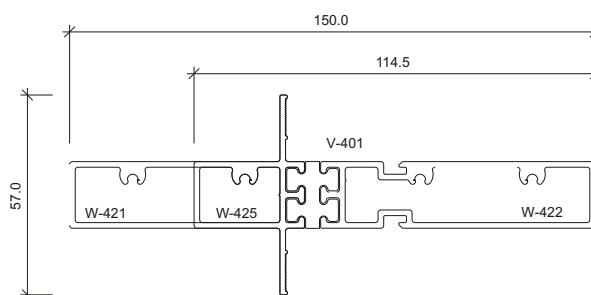


DETAIL 5

- ALUMINUM WINDOW FRAME
  - GLAZING SHIM TAPE
  - GLASS
  - AIR SPACE
  - GLASS
  - ROLL-IN GLAZING GASKET
  - ALUM. SNAP-ON GL. STOP
- SEALING UNIT



SILL, HEAD, & JAMB EXTRUSIONS



MULLION EXTRUSIONS



ENGINEERED ALUMINUM PRODUCTS

BUILDING YOUR VISIONS

400 SERIES