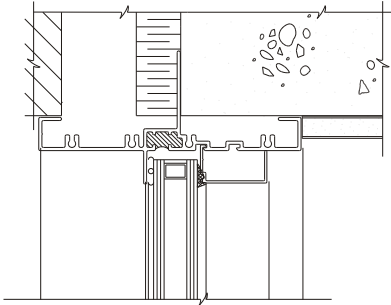
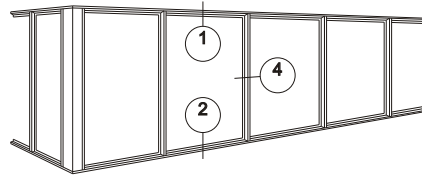
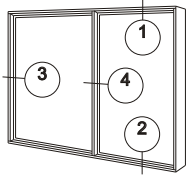
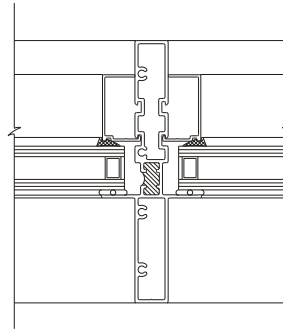


410 SERIES

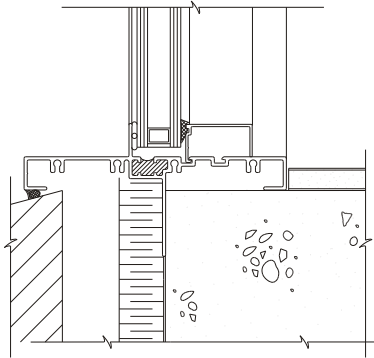
(THERMALLY BROKEN) PUNCHED OPENING OR HORIZONTAL STRIP WINDOW



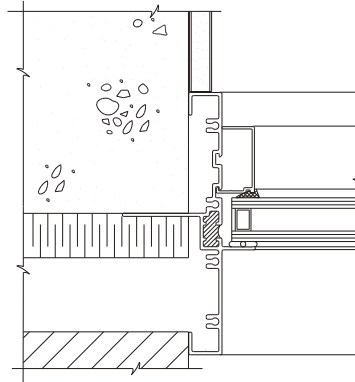
DETAIL 1



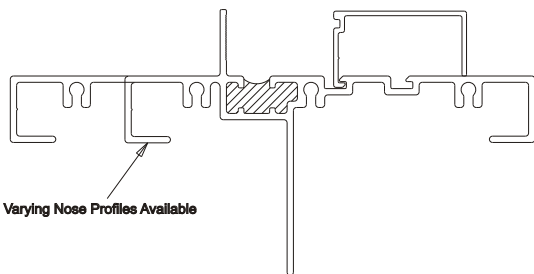
DETAIL 4



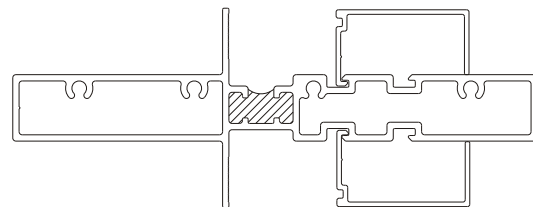
DETAIL 2



DETAIL 3



SILL, HEAD, & JAMB EXTRUSIONS



MULLION EXTRUSIONS



FERGUSON

BUILDING YOUR VISIONS

410