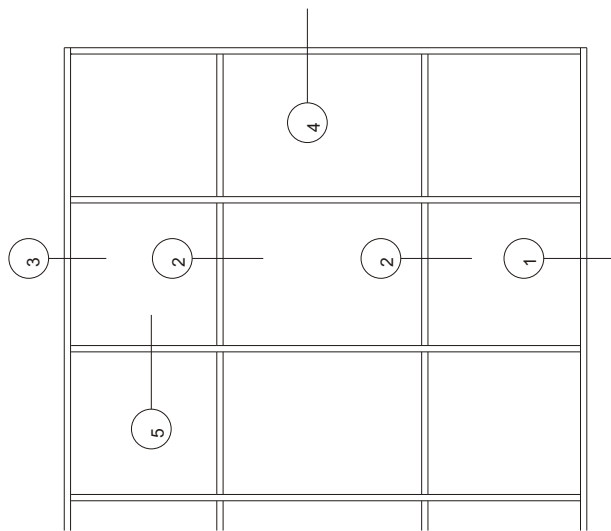
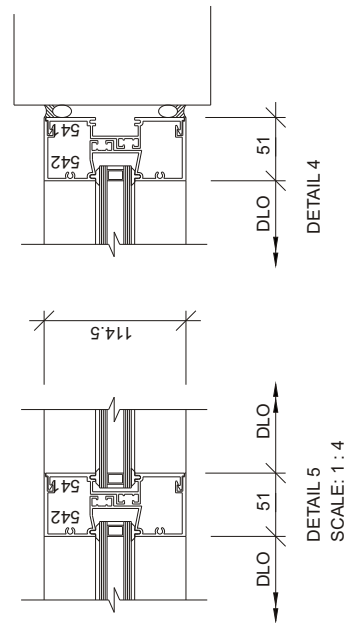


TYPICAL 51.0 (2.0") FLUSH LINE DETAILS

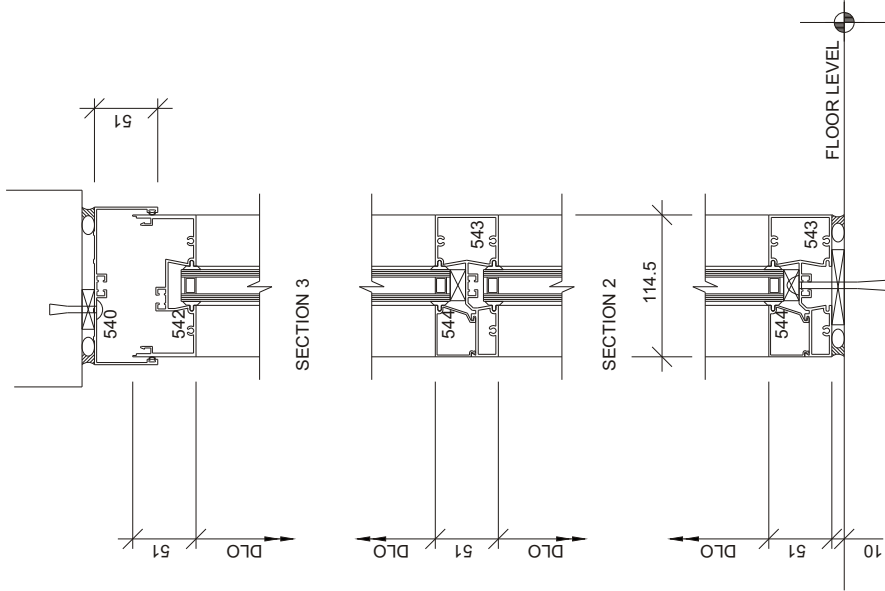


PARTIAL FLUSHLINE WALL ELEVATION
SCALE: 1 : 50



DETAIL 4

DETAIL 5
SCALE: 1 : 4



SECTION 1

SECTION 2

SECTION 3

LIBRARY\CATALOG\DWG_DETAIL\FLUSH.DWG

HEADER	SIZE mm	SIZE inches
540	51.0 X 127.0	2.000 X 5.000
VERTICALS		
541	114.5	4.500
542	51.0 X 127.0	2.000 X 5.000
SILL		
543	51.0 X 127.0	2.000 X 5.000
GLASS STOP		
544	32.5 X 41.5	1.280 X 1.630



ENGINEERED ALUMINUM PRODUCTS

E.A.P. 540 SERIES

BUILDING YOUR VISIONS

FLUSH

PAGE 1